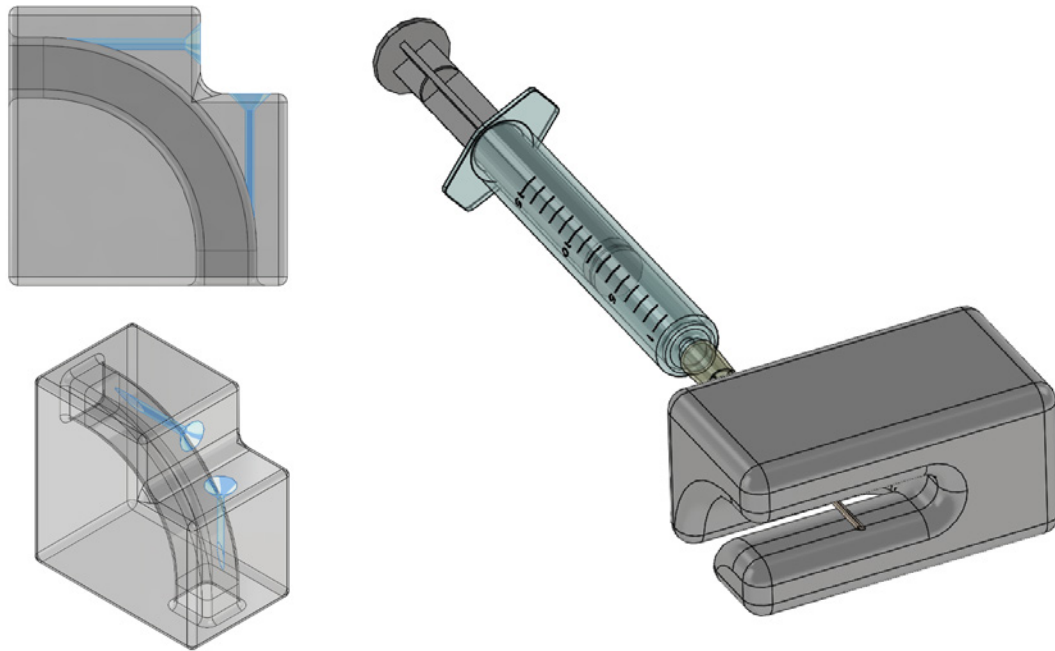


Vascular Access Guide

ALLIANCE FOR INNOVATIVE MEDICAL TECHNOLOGY – AIMTECH / ERADIOLOGY



Vascular access of laboratory animals is a common procedure and is an occupational hazard for individuals, especially for training or drug testing/infectious disease protocols. The vascular access guide provides a safety barrier to better protect technicians from accidental needle sticks and improves vascular access efficiency.

■ **Technical Readiness Level**

TLR 4 (Component validation in a laboratory environment). Prototypes made and tested for several different animal species.

■ **Competitive Advantages**

Currently available devices restrain the animal, but they neither provide sharps safety around the vascular access site nor do they guide the needle into the vessel for improved access rates. This device, customizable for several different animal models, decreases the number of vascular access procedures as well as improves worker safety.

■ **Intellectual Property Status**

Patent Application PCT US2016/51619.

■ **Inventors**

- Hyunki Kim Ph.D., UAB Department of Radiology
- Patrick Schexnailder Ph.D., Engineering, Southern Research

■ **Market Overview**

Mouse tail vein is a common route to deliver agents intravenously, but inserting a needle into tail vein is very challenging. Even highly trained technicians experience 10-20% failure, with failure rates up to 70% with less experienced personnel. In addition, it is hard to insert the needle parallel to the vein. If a needle is inserted with an incorrect angle, it easily breaks through the vein. In a Rabbit ear vascular access setting, one individual restrains the animal and occludes the marginal ear vein proximal to the access point. Meanwhile, a second individual inserts a needle into the vein, just distal to where the first individual is holding the ear. There is typically no barrier between the needle and the first individual's hand, and movement may result in a percutaneous needle stick.

PLEASE CONTACT

Patrick Schexnailder / Southern Research
aimtech@southernresearch.org / 205.581.2879





ABOUT SOUTHERN RESEARCH

Founded in 1941 in Birmingham, Alabama, Southern Research is a scientific and engineering research organization that conducts preclinical drug discovery and development, advanced engineering research in materials, systems development, and energy and environmental technologies research. SR supports clients and partners in the pharmaceutical, biotechnology, defense, aerospace, environmental, and energy industries.

We pursue entrepreneurial and collaborative initiatives to develop and maintain a pipeline of intellectual property and innovative technologies that contribute to the growth of the organization and positively impact real-world problems.

www.SouthernResearch.org



Knowledge that will change your world

ABOUT UAB

Known for its innovative and interdisciplinary approach to education at both the graduate and undergraduate levels, the University of Alabama at Birmingham is an internationally renowned research university and academic medical center, as well as Alabama's largest employer, with some 23,000 employees, and has an annual economic impact exceeding \$5 billion on the state. The five pillars of UAB's mission include education, research, patient care, community service and economic development. UAB is a two-time recipient of the prestigious Center for Translational Science Award

www.uab.edu